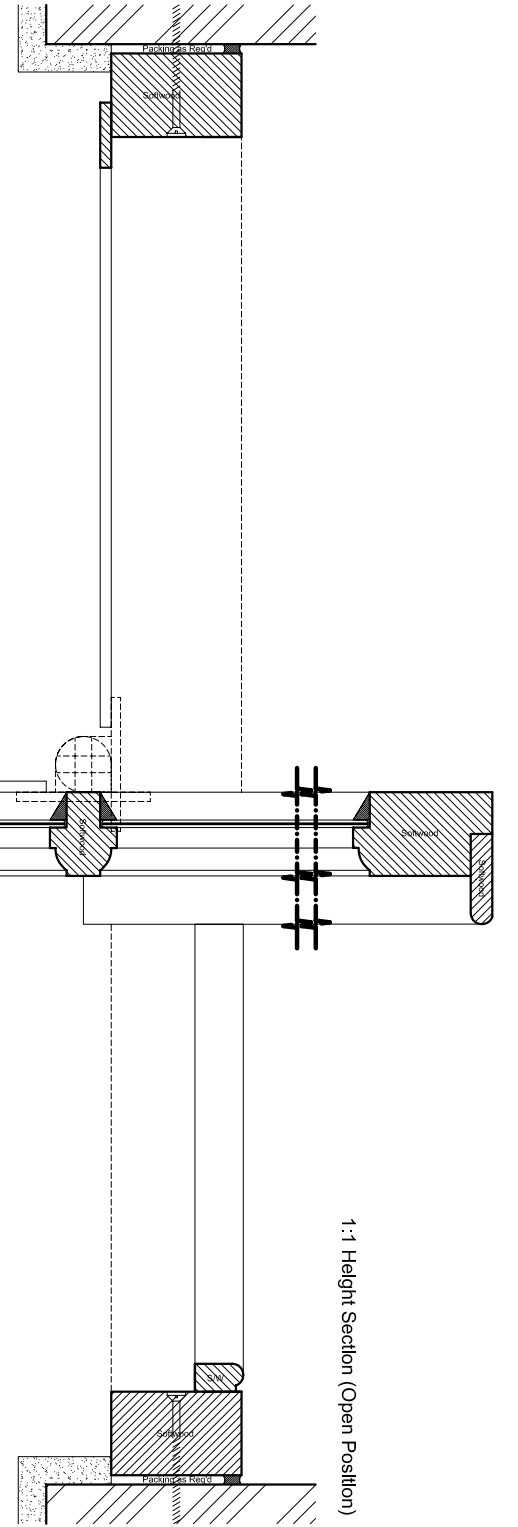
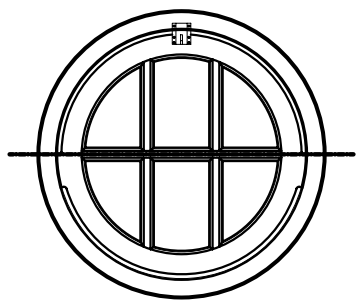


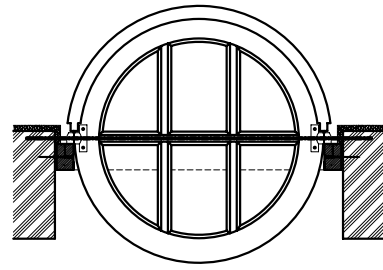
1:1 Plan (Bead Detail at Low Level)



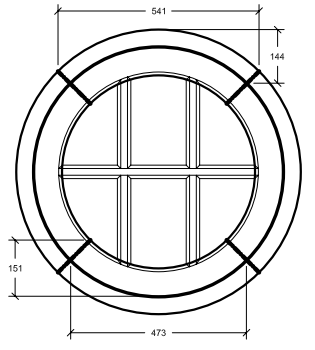
1:1 Plan (Bead Detail at High Level)



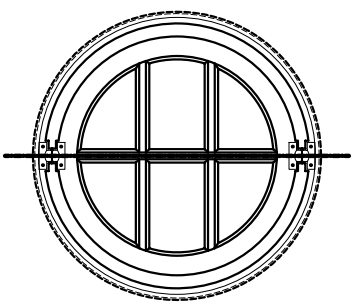
1:5 Internal Elevation



1:5 Plan Section (Open Position)



1:5 Timber Section (to form frames)



1:5 External Elevation

1:1 Height Section (Open Position)