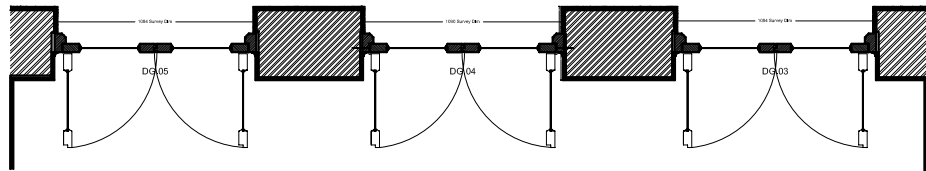
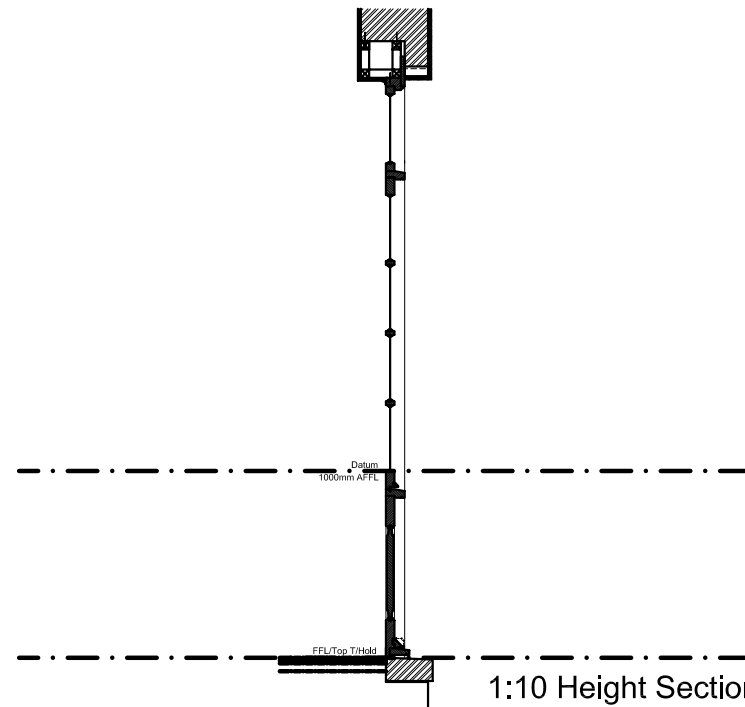


1:10 External Elevations

1:10 Internal Elevations



1:10 Plan Section



1:10 Height Section