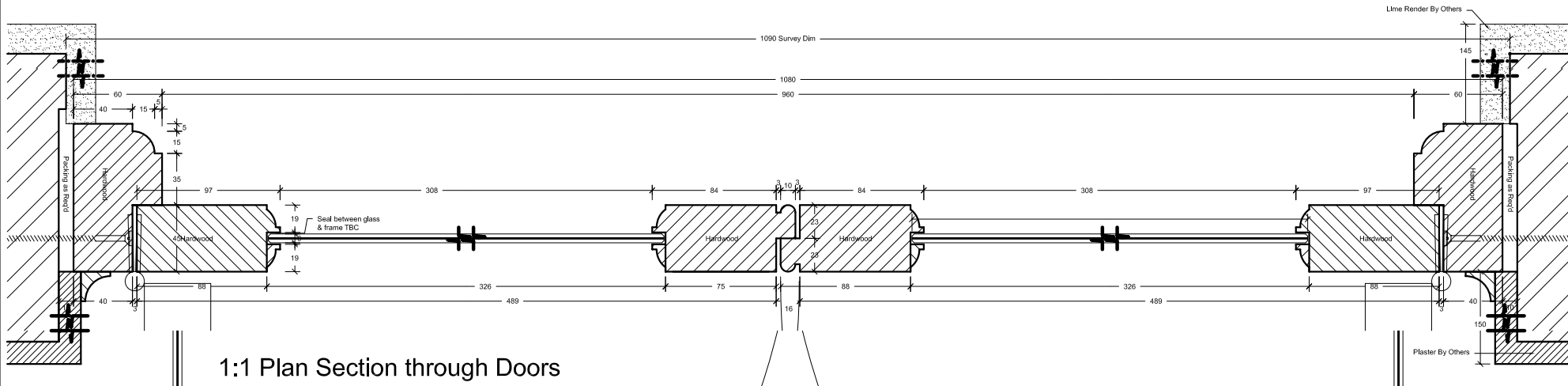
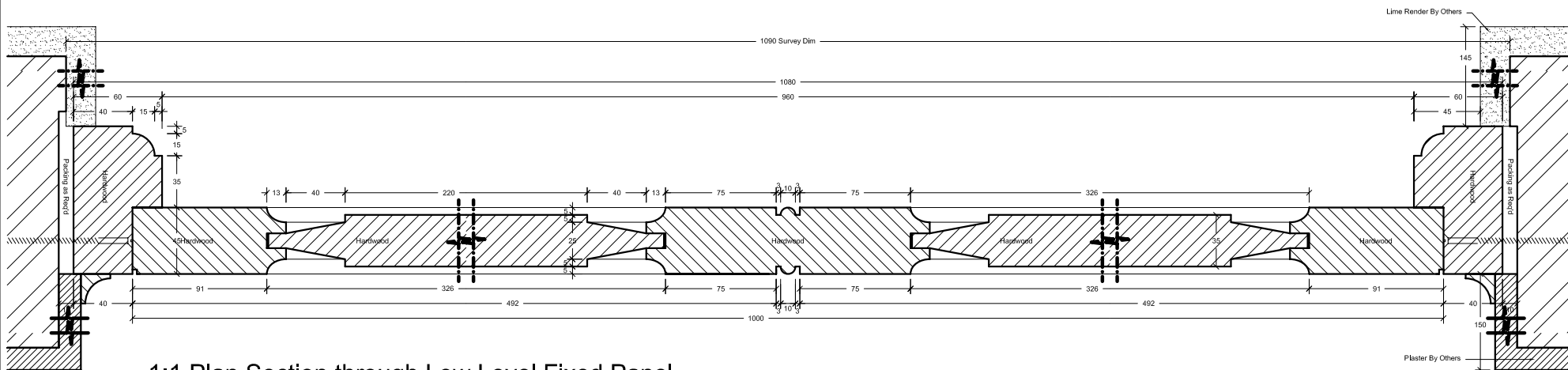


1:1 Plan Section through Fanlight (Above Doors)



1:1 Plan Section through Doors



1:1 Plan Section through Low Level Fixed Panel